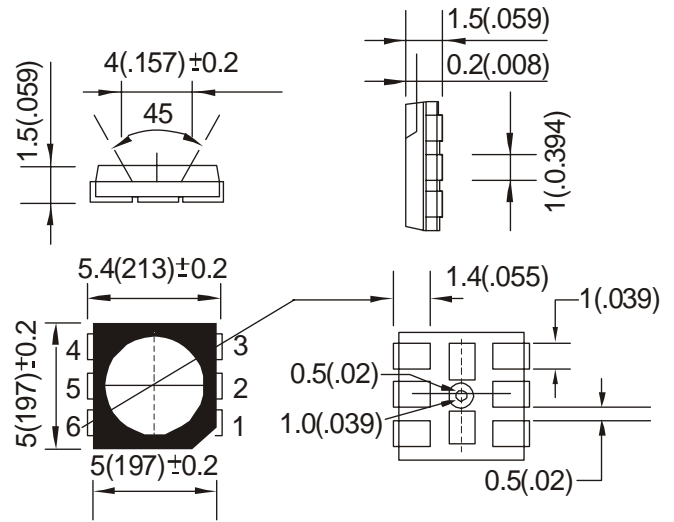




## JSL-5050XX (5.5x5.0x1.95mm SMD)

### Absolute Maximum Ratings at Ta=25°C

Parameter	Symbol	Rating	Unit
Forward Current	I <sub>F</sub>	25	mA
Power Dissipation	P <sub>d</sub>	90	mW
Reverse Voltage	V <sub>R</sub>	5	V
Peak Forward Current (Duty 1/10 @1KHZ)	I <sub>PF</sub>	150	mA
Operation Temperature	T <sub>OPR</sub>	-40 to +80	°C
Storage Temperature	T <sub>STG</sub>	-40 to +85	°C



### Features:

- 1.Color:Red/Green/Blue
- 2.Compatible with automatic placement equipment
- 3.Compatible with reflow solder process
- 4.Long life solid state reliability.
- 5 RoHs Standard

### Description:

1. Backlight for mobile,machine version.
2. Backlight in dashboard and switch of automive.
3. Package:1000pcs/reel

### Package Dimensions:

Part Number	Dice material And color	Lens color	Peak Wavelength	Vf(V) Typ	Iv(mcd)		Viewing Angle 2 θ 1/2
					Min	Typ	
JSL-5050URC	GaAlAs/ultra Red	Water clear	625nm	2.0	300	600	120°
JSL-5050UYC	AlGaInP/ultra Yellow	Water clear	590nm	2.1	600	1500	120°
JSL-5050UBC	InGaN/ultra Blue	Water clear	470nm	3.2	300	500	120°
JSL-5050PGC	InGaN/Pure Green	Water clear	525nm	3.2	2000	3000	120°
JSL-5050UWC	InGaN/Ultra White	Yellow Diffused	6000K	3.2	3000	4500	120°
JSL-5050WWC	InGaN/Warm White	Yellow Diffused	3300K	3.2	3000	4200	120°